

M8 female 0° SnapIn with cable

PUR 5x0.25 bk UL 1.5m

Female straight

Snap In

M8, 5-pole

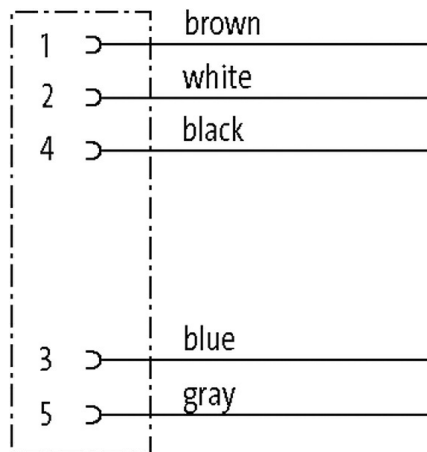
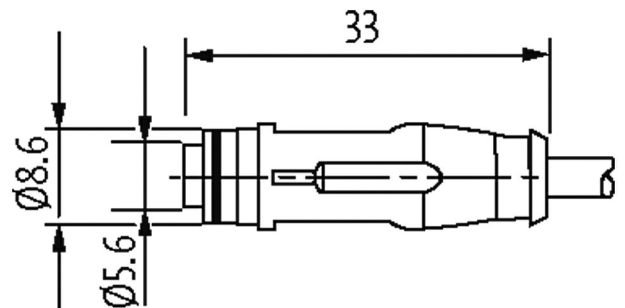
B-coded

with cable sleeves

Plastic housings with good resistance against chemicals and oils.

The resistance to aggressive media should be individually tested for your application. Further details on request.

Further cable lengths on request.

Illustration

Product may differ from Image

Form

Form 08945

General data

| | |
|--------------------|--------------|
| Mounting method | inserted |
| Material (contact) | Copper alloy |
| Pollution Degree | 3/2 |
| Temperature range | -30...+80 °C |

Cables

| | |
|-------------------------------------|--|
| Cable identification | 695 |
| Material (wire) | Cu wire, bare |
| Resistor (core) | max. 58 Ω /km (20 °C) |
| Single wire \varnothing (core) | 0.1 mm |
| Construction (core) | 32× 0.1 mm (multi-strand wire class 6) |
| Diameter (core) | 5× 0.25 mm ² |
| AWG | similar to AWG 24 |
| Material (wire isolation) | PP |
| Wire- \varnothing incl. isolation | 1.2 mm \pm 5% |
| Stranding combination | 5 wires twisted around central filler |
| Shield | no |
| Material (jacket) | PUR |
| Outer- \varnothing (jacket) | 4.7 mm \pm 5% |
| Color (jacket) | black |
| Nominal voltage | 300 V |
| Test voltage | 3000 V AC |
| Temperature range (fixed) | -25...+80 °C |
| Temperature range (mobile) | -10...+80 °C |
| Bend radius (moving) | 7.5× outer \varnothing |
| No. of bending cycles (C-track) | max. 5 Mio. (25 °C) |
| Travel speed (C-track) | max. 3 m/s |
| Acceleration (C-track) | max. 5 m/s ² |

Technical Data

| | |
|-------------------------------|-------------------|
| Operating voltage | max. 30 V AC/DC |
| Operating current per contact | max. 3 A |
| No. of poles | 5 |
| Coding | B-coded |
| LED display | no |
| Locking of ports | Snap-in connector |
| Compression gland | M8 Snap In |
| Protection | IP67 |
| Material | TPU |
| Mating cycles | \geq 100 |

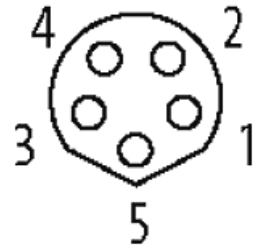
Commercial data

| | |
|-----------------------|---------------|
| country of origin | DE |
| customs tariff number | 85444290 |
| EAN | 4048879779180 |
| eClass | 27279218 |
| Packaging unit | 1 |

Sketch

stay connected

Female



Product may differ from Image